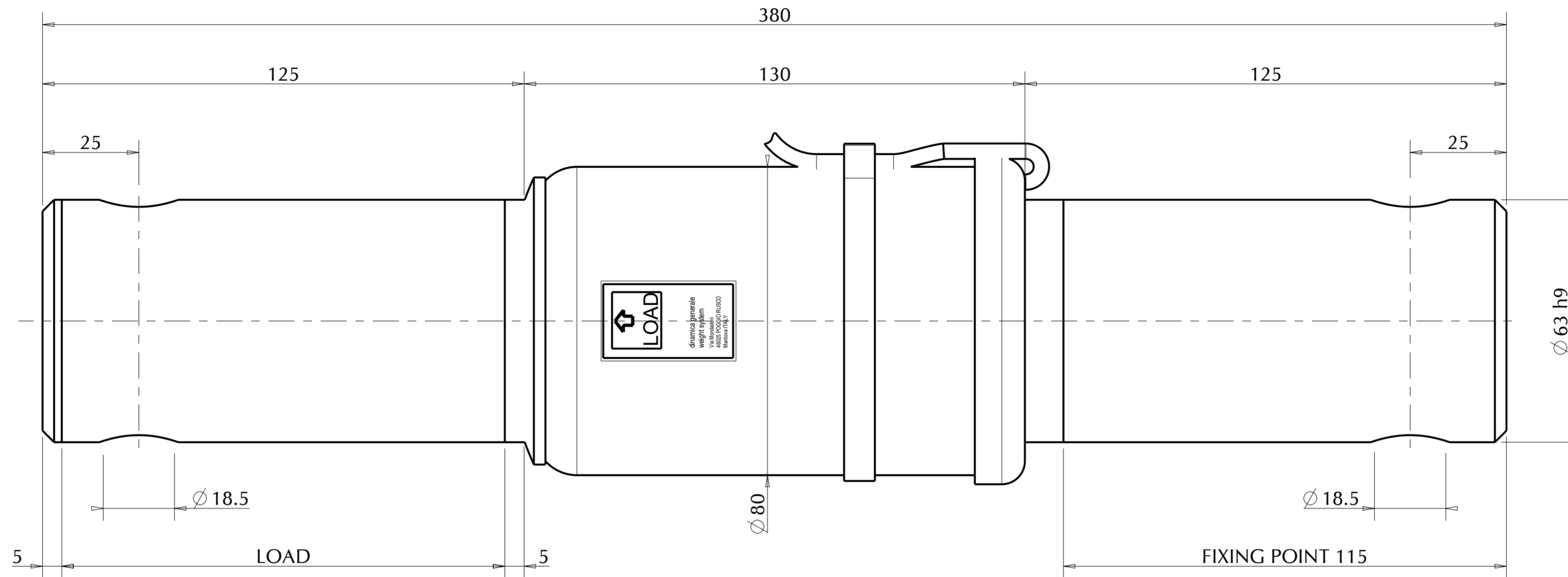


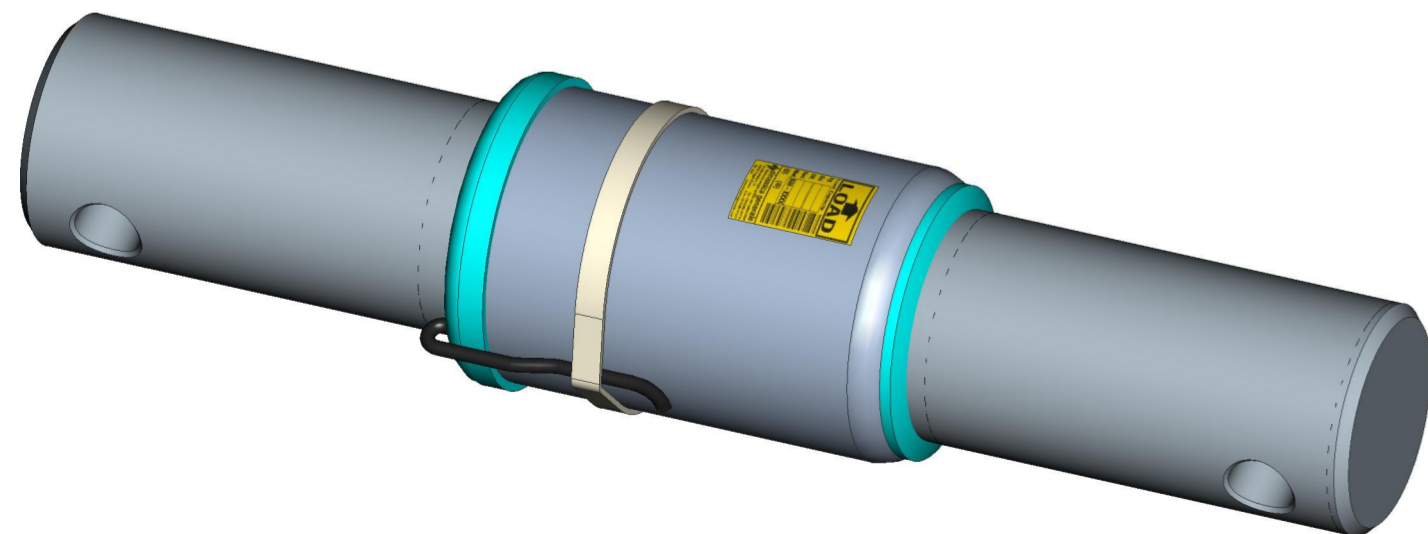
For the assembly of the load cell - screw M18 with class of resistance 8.8 DIN267

ALL RIGHTS OF THE PROJECT STRICTLY RESERVED TO DINAMICA GENERALE. REPRODUCTION OR ISSUE TO THIRD PARTIES IN ANY FORM WHATEVER IS, NOT PERMITTED WITHOUT WRITTEN AUTHORIZATION FROM DINAMICA GENERALE

This documents is for reference, dimensions are subject to change.



Bushing Tolerance
 $\varnothing 63 +0.2/+0.3$



SPECIFICATIONS	STATIC	MOBILE
RATED LOAD (LBS)	16535	11023
RATED LOAD (Kg)	7500	5000
RATED OUTPUT (mV/V)	1.16 ± 1%	0.77 ± 1%

RATED LOAD [KG]	5000
ZERO BALANCE [%FS]	+/- 4%
COMBINED ERROR [%FS]	±0.15
REPEATABILITY [%FS]	±0.15
OPERATING TEMPERATURE RANGE (°C)	-45/+ 70
INPUT IMPEDENCE (Ω)	360 ± 10
OUTPUT IMPEDENCE (Ω)	350 ± 1
EXCITATION (V)	5-12
INSULATION ($M\Omega$)	> = 5000
GRADE OF PROTECTION	IP 68

PART CODE	CABLE LENGHT		CABLE TERMINATION
	FT	m	
969-0083	21.3	6.5	ECP

REV.	MOD.N.	DATE	SIGNATURE	DESCRIPTION	SCALE			
D	A3	14/04/17	M.B.	Agg. fdm 100-17	A2			
C	A2	26/05/09	M.B.	Inserito cavo 009-0143				
B	A1	05/05/08	M.B.	Inserita scheda universale	1/1			
A	A0	28/02/07	M.B.	Emissione disegno				
				*DRAWN	*CHECKED	*APPROVED	UNSPECIFIED TOLLERANCES	
				DATE	28/02/2007	28/02/2007	28/02/2007	±0.5
				SIGNATURE	M.BRESCIANI	A. BARBI	A. BARBI	ROUGHNESS
				WEIGHT [kg]	9.348	*REFER TO ORIGINAL DRAWING IF SIGNATURE ARE PRINTED		-
				DESCRIPTION	MOBILE Load Cell DG12954/63-AW C=6.5m + ECP			
				CODE	969-0083	REV.	A3	THE COPY OF THIS DRAWING MUST BE APPROVED BY DINAMICA GENERALE

INPUT +	RED
INPUT -	BLACK
OUTPUT +	GREEN
OUTPUT -	WHITE